

Connecting the GROM(2BJ-JC75) ECU to the ENIGMA Fire Plus type-V Bluetooth version

Supported models of this manual

ENIGMA type ENIGMA FirePlus type-V (FPV335 / FPV3351RTF)

Vehicle type HONDA GROM (2BJ-JC75)

Installation should be done in a safe place. A basic knowledge of Grom(JC75) maintenance is necessary. There is an ECU under the seat and remove gas tank side cover and rubber mount.

Make an **interrupt connection** from the ENIGMA FirePlus type-V wiring to the wiring on the coupler side.

(AN interrupt connection can made without cutting but by making a branch in the normal connection)

Do not use an electro tap on the interrupt wiring connection. It causes many connection issues that are problematic to the operation of the ENIGMA FirePlus type-V. (Use solder or the like for improved reliability.)

If you use the RTF type, remove the coupler which is connected to the ECU, please connect the coupler that has come out from ENIGMA FirePlus type-V RTF to the ECU and the vehicle body side. Please make sure that the lock sound is a "click".

The wires from the Enigma FirePlus type-V will be the fundamentally the same, or similar to that of the wires it will connect to from the bike. Please carefully follow the diagram below when making the connection. There are a total of 12 wires.

By cutting the No.16 Pin (Pink / Green) wire of ECU (Injectctor), the bike vehicle body side wiring from the ENIGMA FirePlus type-V connect the Pink / Green wire. Connect the Pink wire the ECU side.

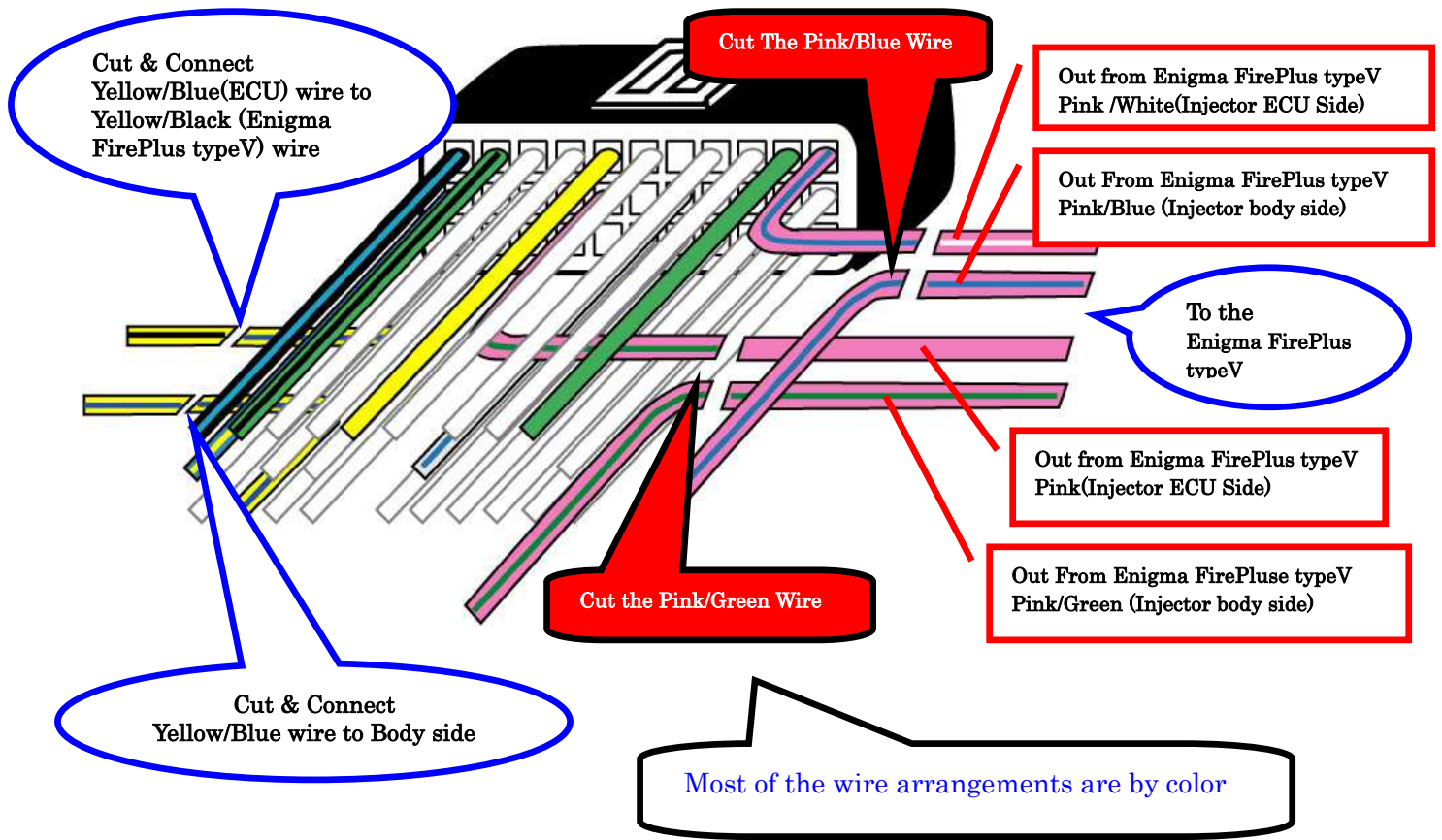
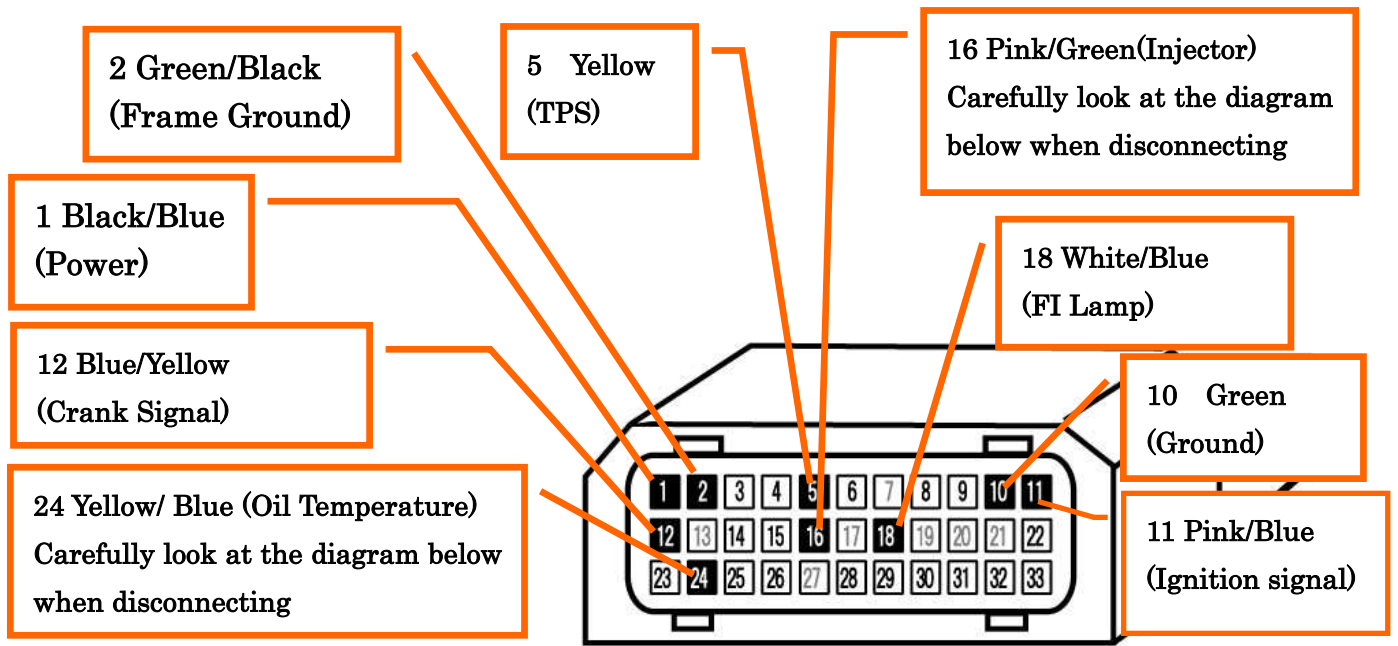
By cutting the No.11 Pin (Pink / Blue) wire of ECU (Ignition signal), the bike vehicle body side wiring from the ENIGMA FirePlus type-V connect the Pink / Blue wire. Connect the Pink/White wire the ECU side.

By cutting the No.24 Pin (Yellow/ Blue) wire of ECU (Oil Temperature), the bike vehicle body side wiring from the ENIGMA FirePlus type-V connect the Yellow/ Blue wire. Connect the Yellow/Black wire the ECU side.

In order to prevent the reporting water from entering into the ENIGMA FirePlus type-V inside from the base of the wiring from the ENIGMA FirePlus type-V , it is recommended that you install in the lower wiring side in the vertical the ENIGMA FirePlus type-V.

The purple wire is a engine revolution output service cable and is not to be connected to the ECU.

The light green wire is a pit lane switch service and is not to be connected to the ECU.



ECU terminal connected 9wires 1,2,5,10,11,12,16,18,24.Please confirm the picture.

The purple line is the service output line. The ENIGMA FirePlus type-V will output 5V each crank rotation. Most commercially available digital tachometers are supported. Exact values will be displayed if these cables are connected. They are useful to various applications. Do not short-circuit by taping when there is no need.

The limiter has not been canceled after the wiring connection is complete. It can be easily canceled by communicating with the Enigma operating software on a smartphone or PC.

The Enigma FirePlus type-V operating software can be downloaded free from our website.

<http://www.dilts-japan.com>

Installation of the pit lane limiter switch

"Light green wire" that has come out from ENIGMA FirePlus type-V is the wiring for the pit lane limiter switch installation.

Pit lane limiter to the rotation of the constant engine speed to control the speed only when the external switch ON

You control. Do those who want to use this feature by performing the following tasks.

In general, to buy a handle mounting switch, which is commercially available, it should be placed in easy-to-use position.

(If you are installing to handle and place easy to operate location does not interfere with operation)

Switch is common thing that cuts in the "OFF" position to connect with the "ON" position.

Switch is not suitable to be connected only when you press. be careful.

Connect the Light green line the installation of the switch is out of the ENIGMA FirePlus type-V when finished.

Connect the Light green line to one of the terminals of the switch. The other is connected to ensure that "body earth".

The most reliable of is to connect to the negative battery. Circuit will be burned down and unavailable when connecting to the positive wrong. Never done.

This completes the installation of pit lane limiter switch with more work

When you do not want to use the pit lane limiter function, please tip of the wire is insulated with tape so as not to short against the metal part.

Please be sure to go Before using the ENIGMA FirePlus type-V

ENIGMA FirePlus type-V can do fuel adjustment as imagined by stopping the O2sensor feedback function without giving an error stop fueling and stopping the ECU correction against increase / decrease.

ENIGMA FirePlus type-V adopts a new program, it operates more accurately than the previous one, and the operation response is also improved.

Before using the ENIGMA FirePlus type-V, you must reset the ECU once and return it to the factory condition.

The GROM(2BJ-JC75) ECU accumulates some feedback data until now inside.

It can't do fuel adjustment even if ENIGMA FirePlus type-V is conected when not resetting the ECU.

Please carefully follow the diagram below when making the ECU reset.

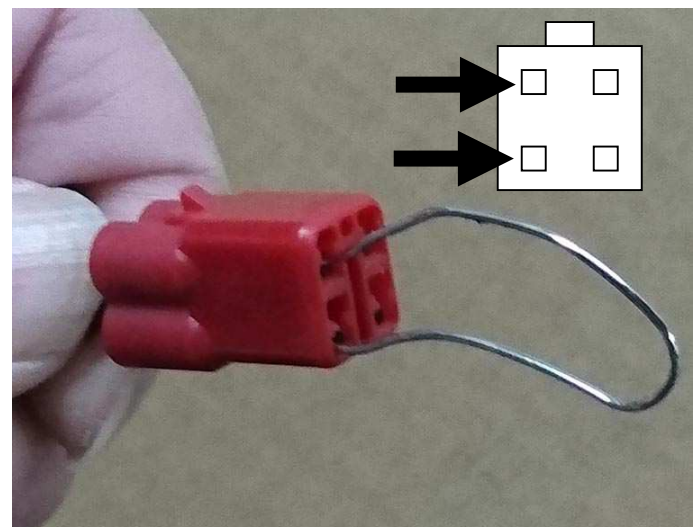
After work, ENIGMA FirePlus type-V and make the connection and to install the reset ECU.

How to ECU reset

① Remove the seat by safty area, find service connector(red 4pins) on the right side of body. Remove the cap and looking at the connector from the front,Short circuit green / black and blue using wire or clip.(see Photos)



② With the accelerator fully open, turn on the key.
(To keep the accelerator fully open)
Look at the FI lamp inside themeter in this state.
Wait for the FI lamp to blink.
Release your hand from the accelerator after blinking severaltimes.(To keep the accelerator fully open)
Turn the key off when it flash after that.
The ECU reset is now complete.



- If you can't reset the ECU as above, There is a case that "error history" is already stored in the ECU when the FI lamp lights up the case in the past.
In this case, It's not possible to reset the ECU until the internal error is cleared after investigating the cause and restoring it. (See the service manual or Go to the authorized dealer for repair.)

- Please do not repeat reset unnecessarily to may cause trouble.
Those who are uneasy about the above work and who do not understand please be sure to install in a specialty shop. This company will not bear any responsibility whatsoever for any trouble.